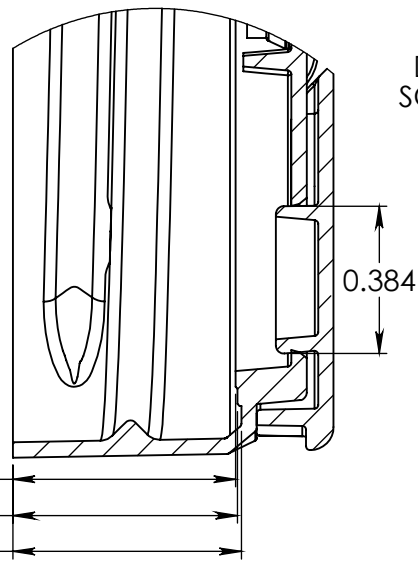
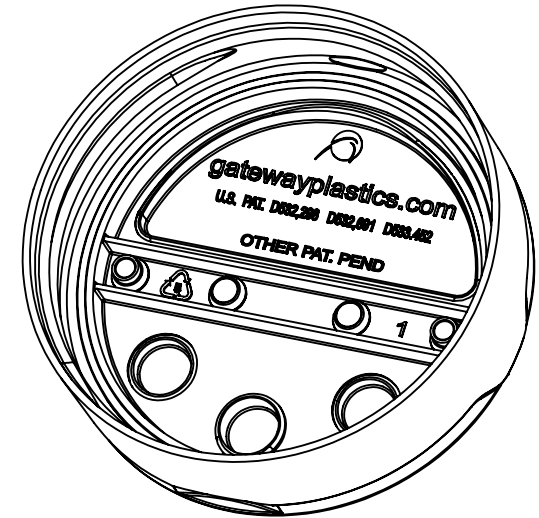
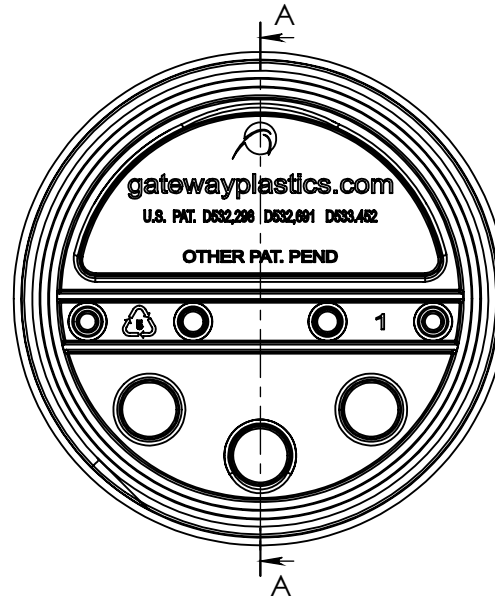
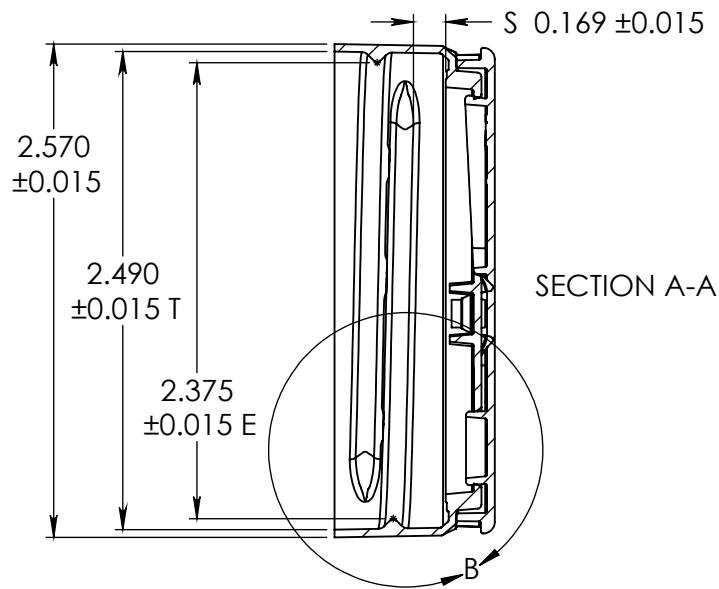


PROPRIETARY AND CONFIDENTIAL

THE INFORMATION CONTAINED IN THIS DRAWING IS THE SOLE PROPERTY OF GATEWAY PLASTICS INC. ANY REPRODUCTION IN PART OR AS A WHOLE WITHOUT THE WRITTEN PERMISSION OF GATEWAY PLASTICS INC. IS PROHIBITED.



DETAIL B
SCALE 2 : 1

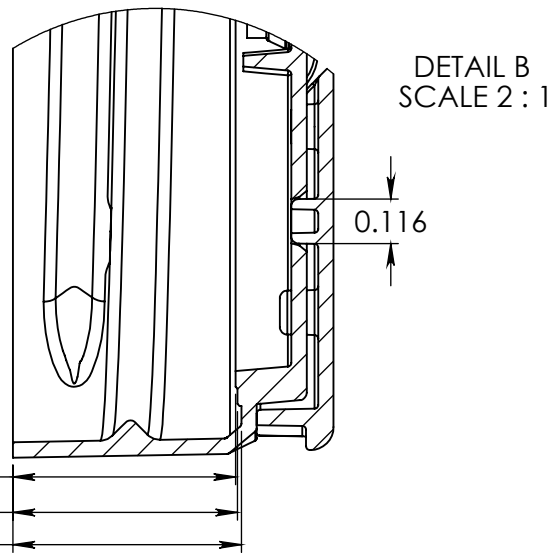
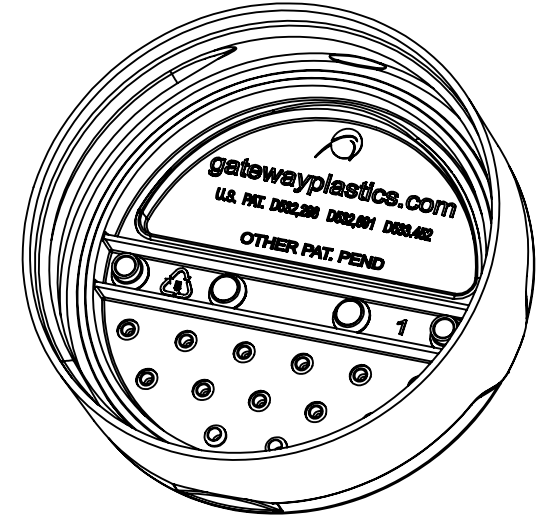
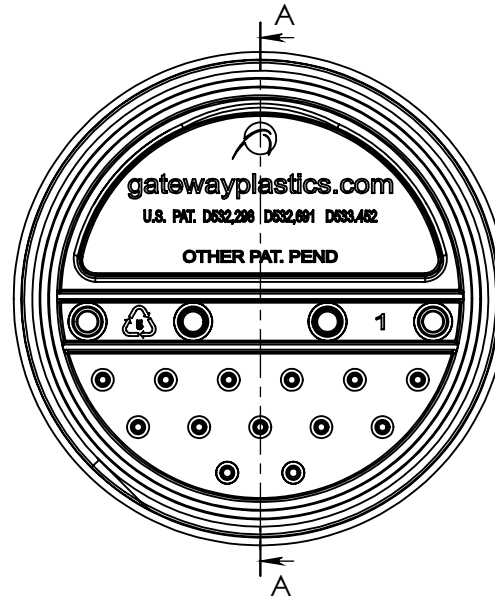
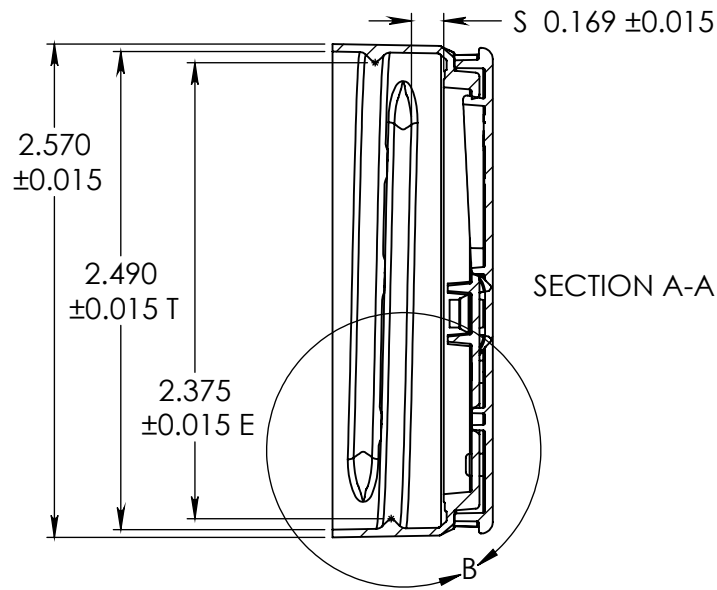
TPI = 6

UNLESS OTHERWISE SPECIFIED:		NAME	GATEWAY PLASTICS, INC. 5650 W COUNTY LINE ROAD, MEQUON, WI 53092 TITLE: 63mm 0.375 3 HOLE CLOSURE		
DIMENSIONS ARE IN INCHES		DRAWN		CEG	
TWO PLACE DECIMAL ± 0.015		CHECKED			
THREE PLACE DECIMAL ± 0.005		ENG APPR.			
MATERIAL		MFG APPR.			
		Q.A.			
DO NOT SCALE DRAWING			SIZE	DWG. NO.	REV
			A		A
			SCALE: 1:1	SHEET 1 OF 1	

REVISIONS			
REV.	DESCRIPTION	DATE	APPROVED
A	APPROVED FOR PRODUCTION	12/16/2007	CEG

PROPRIETARY AND CONFIDENTIAL

THE INFORMATION CONTAINED IN THIS DRAWING IS THE SOLE PROPERTY OF GATEWAY PLASTICS INC. ANY REPRODUCTION IN PART OR AS A WHOLE WITHOUT THE WRITTEN PERMISSION OF GATEWAY PLASTICS INC. IS PROHIBITED.



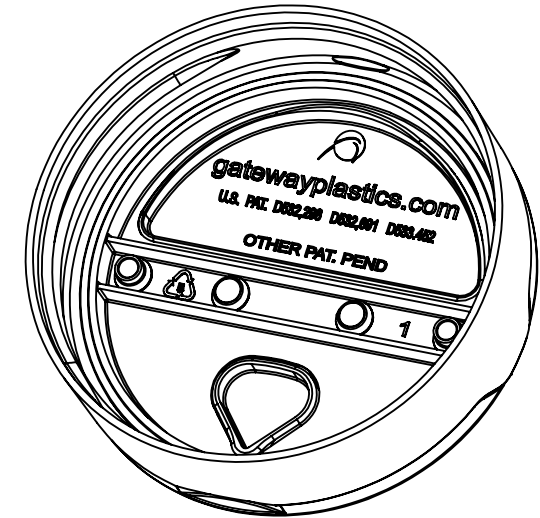
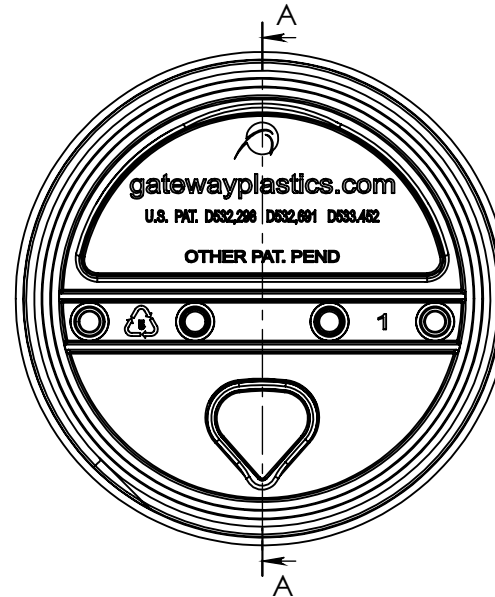
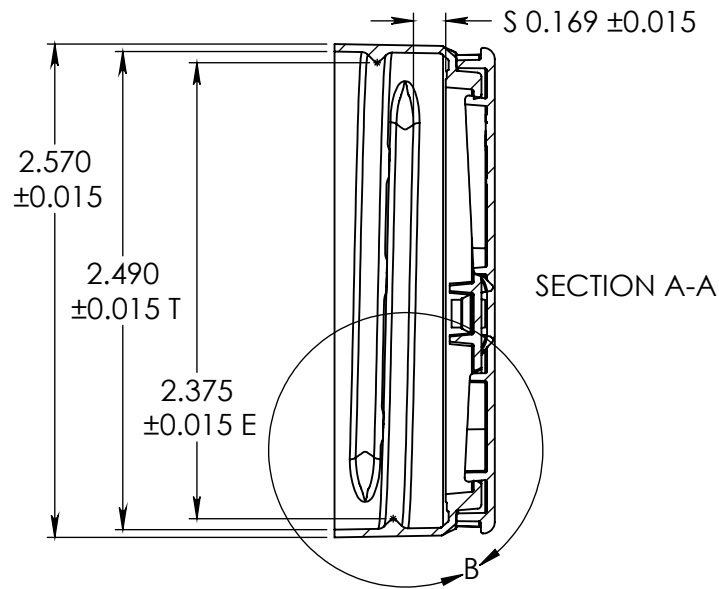
TPI = 6

UNLESS OTHERWISE SPECIFIED: DIMENSIONS ARE IN INCHES TWO PLACE DECIMAL ± 0.015 THREE PLACE DECIMAL ± 0.005		DRAWN	NAME	GATEWAY PLASTICS, INC. 5650 W COUNTY LINE ROAD, MEQUON, WI 53092 TITLE: 63mm 13 HOLE CLOSURE	
MATERIAL		CHECKED	CEG		
		ENG APPR.			
		MFG APPR.			
		Q.A.			
DO NOT SCALE DRAWING			SIZE	DWG. NO.	REV
			A		A
			SCALE: 1:1	SHEET 1 OF 1	

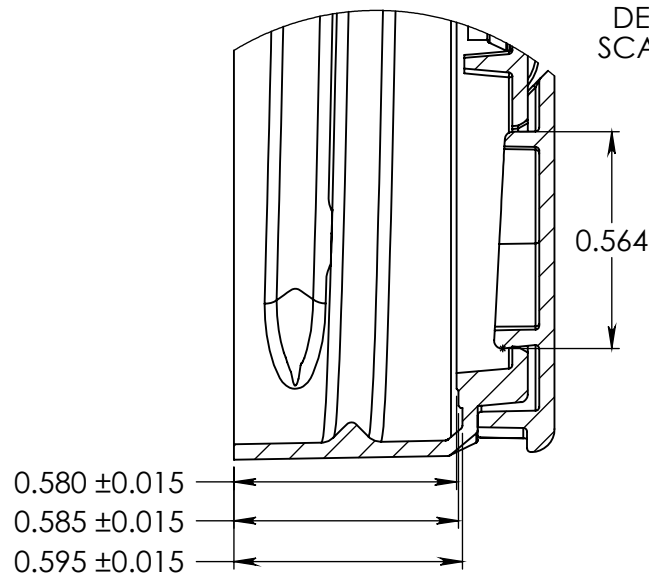
REVISIONS			
REV.	DESCRIPTION	DATE	APPROVED
A	APPROVED FOR PRODUCTION	12/16/2007	CEG

PROPRIETARY AND CONFIDENTIAL

THE INFORMATION CONTAINED IN THIS DRAWING IS THE SOLE PROPERTY OF GATEWAY PLASTICS INC. ANY REPRODUCTION IN PART OR AS A WHOLE WITHOUT THE WRITTEN PERMISSION OF GATEWAY PLASTICS INC. IS PROHIBITED.



DETAIL B
SCALE 2 : 1



TPI = 6

UNLESS OTHERWISE SPECIFIED: DIMENSIONS ARE IN INCHES TWO PLACE DECIMAL ± 0.015 THREE PLACE DECIMAL ± 0.005		DRAWN	NAME	GATEWAY PLASTICS, INC. 5650 W COUNTY LINE ROAD, MEQUON, WI 53092 TITLE: 63mm TEAR DROP CLOSURE	
MATERIAL		CHECKED	CEG		
		ENG APPR.			
		MFG APPR.			
		Q.A.			
DO NOT SCALE DRAWING			SIZE	DWG. NO.	REV
			A		A
			SCALE: 1:1	SHEET 1 OF 1	

REVISIONS			
REV.	DESCRIPTION	DATE	APPROVED
A	APPROVED FOR PRODUCTION	12/16/2007	CEG