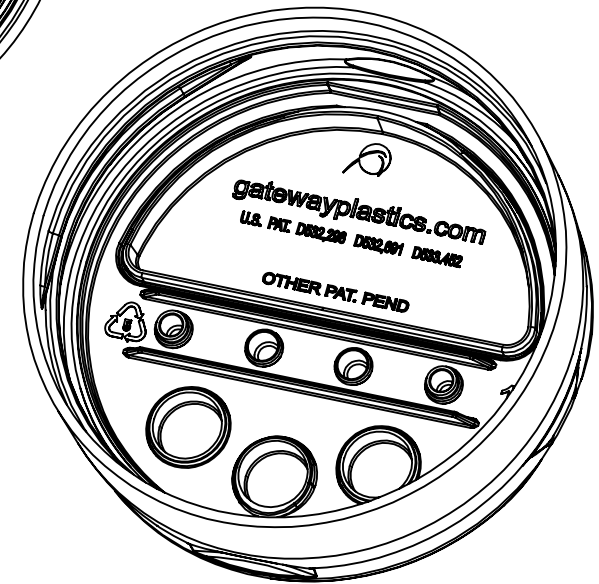
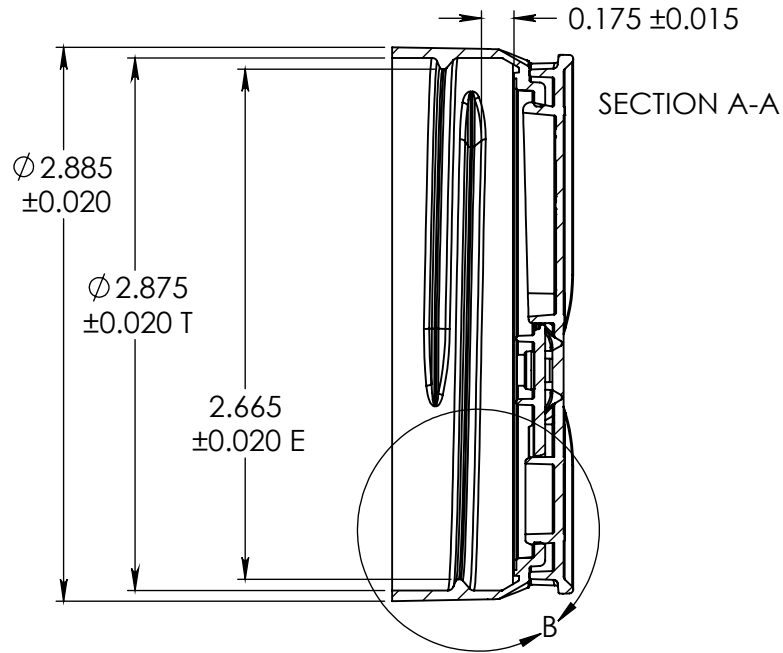
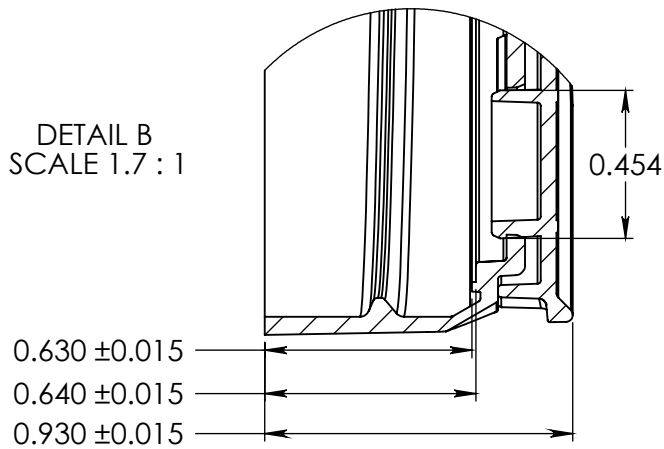


PROPRIETARY AND CONFIDENTIAL

THE INFORMATION CONTAINED IN THIS DRAWING IS THE SOLE PROPERTY OF GATEWAY PLASTICS INC. ANY REPRODUCTION IN PART OR AS A WHOLE WITHOUT THE WRITTEN PERMISSION OF GATEWAY PLASTICS INC. IS PROHIBITED.



DETAIL B  
SCALE 1.7 : 1



TPI = 6

UNLESS OTHERWISE SPECIFIED: DIMENSIONS ARE IN INCHES TWO PLACE DECIMAL ± 0.015 THREE PLACE DECIMAL ± 0.005	DRAWN	NAME CEG
MATERIAL POLYPROPYLENE	CHECKED	
	ENG APPR.	
	MFG APPR.	
	Q.A.	

**GATEWAY PLASTICS, INC.**  
5650 W COUNTY LINE ROAD, MEQUON, WI 53092

TITLE:  
70mm 3 HOLE 2 pc CLOSURE

REVISIONS			
REV.	DESCRIPTION	DATE	APPROVED
A	APPROVED FOR PRODUCTION	5/28/2008	CEG
B	PART GEOMETRY CHANGE	3/25/2010	CEG

DO NOT SCALE DRAWING

SIZE	CAD FILE REF.	REV
<b>A</b>	70mm_base-rev12.05_111908.x_t	<b>B</b>
SCALE: 1:1		SHEET 1 OF 1