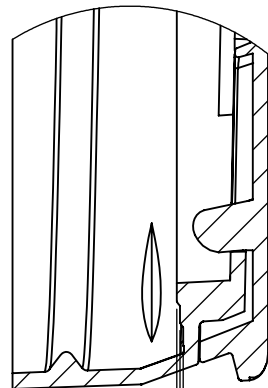
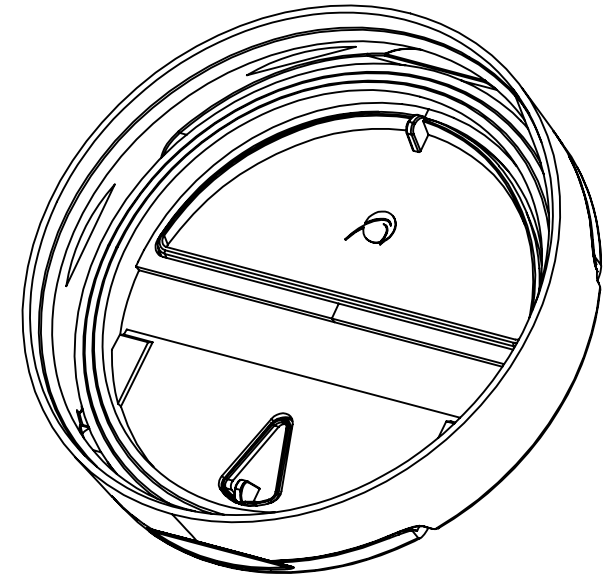
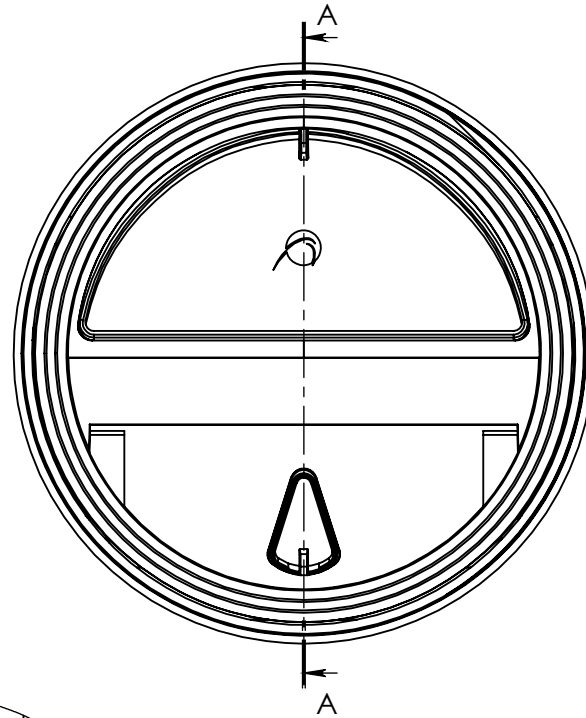
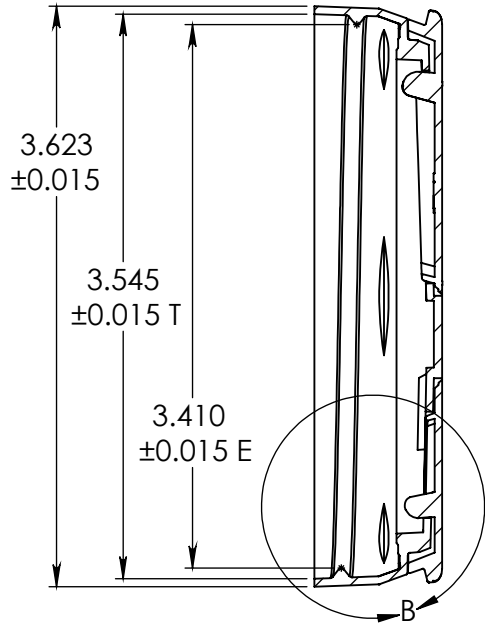


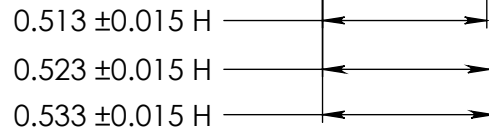
PROPRIETARY AND CONFIDENTIAL

THE INFORMATION CONTAINED IN THIS DRAWING IS THE SOLE PROPERTY OF GATEWAY PLASTICS INC. ANY REPRODUCTION IN PART OR AS A WHOLE WITHOUT THE WRITTEN PERMISSION OF GATEWAY PLASTICS INC. IS PROHIBITED.

SECTION A-A



DETAIL B  
SCALE 2 : 1.2



UNLESS OTHERWISE SPECIFIED:		NAME
DIMENSIONS ARE IN INCHES	DRAWN	CEG
TWO PLACE DECIMAL ± 0.015	CHECKED	
THREE PLACE DECIMAL ± 0.005	ENG APPR.	
MATERIAL	MFG APPR.	
POLYPROPYLENE	Q.A.	

**GATEWAY PLASTICS, INC.**  
5650 W COUNTY LINE ROAD, MEQUON, WI 53092

TITLE:  
**89mm TEAR DROP 1pc CLOSURE**

REVISIONS			
REV.	DESCRIPTION	DATE	APPROVED
A	APPROVED FOR PRODUCTION	6/14/06	CEG

**DO NOT SCALE DRAWING**

SIZE	CAD FILE NO.	REV
<b>A</b>	89mm_tear_drop-rev4_07.x_t	<b>A</b>
SCALE: 1:1.2		SHEET 1 OF 1